

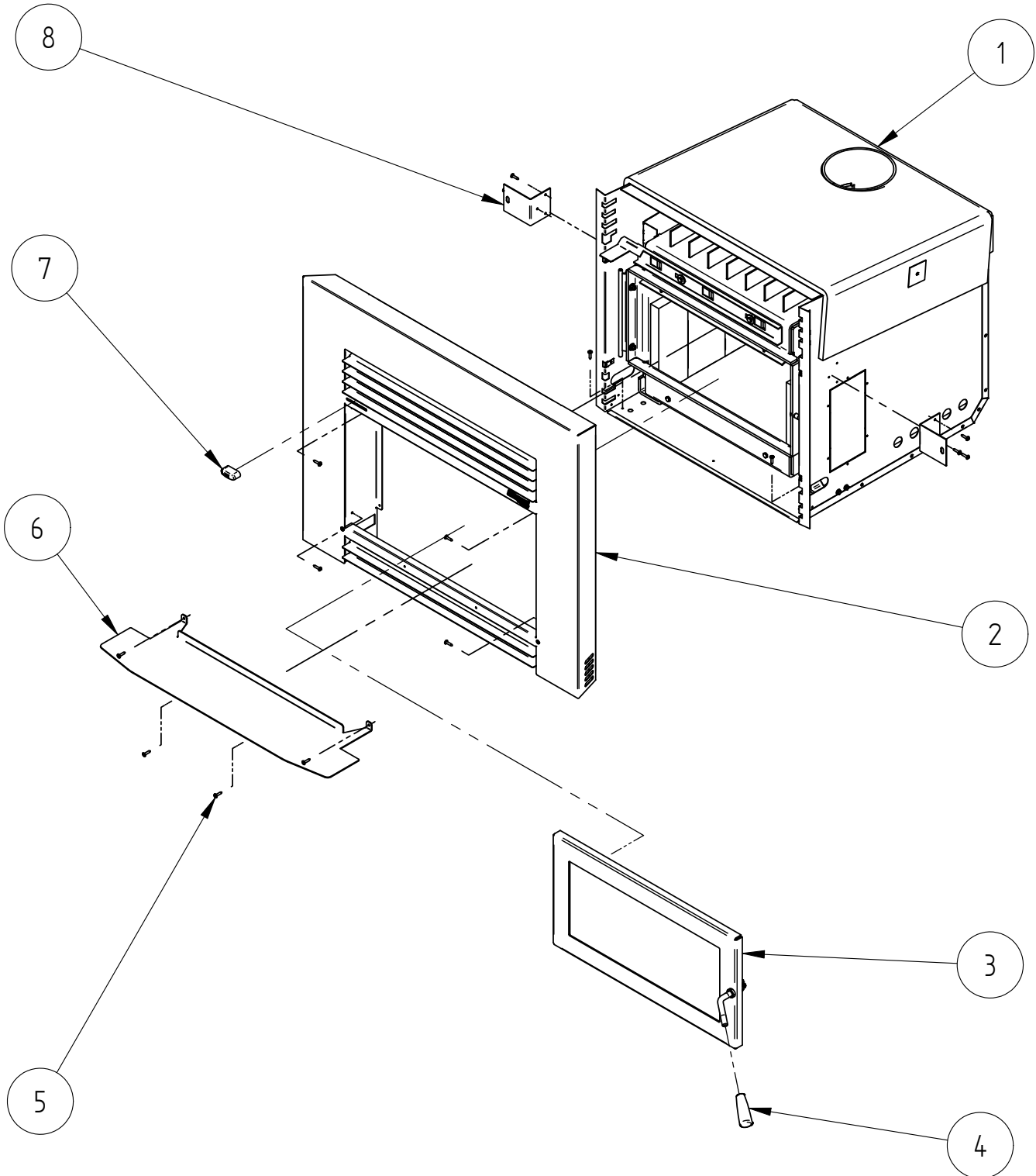
# Masport® Heating

## INSERT & INBUILT WOOD FIRES

I2000 NEW ZEALAND						
DESCRIPTIONS	ITEM NO.	MARKET	FUEL TYPE	FINISH	YEAR	FAN
Fire Box (Dry)	993922	NZ	SOFTWOOD	-N.A.-	FEB-2015	-N/A.-
Fascia	993923			Metallic Black Paint	Mar-2015	
KIT CODE	DESCRIPTION		CONTENTS		YEAR	
MAW2099	I2000 DRY INSERT NZ		993922+993923		FEB-2015	



# OVER ALL SCHEMATIC FOR I2000 (NZ) INBUILT / ZC COMPONENTS

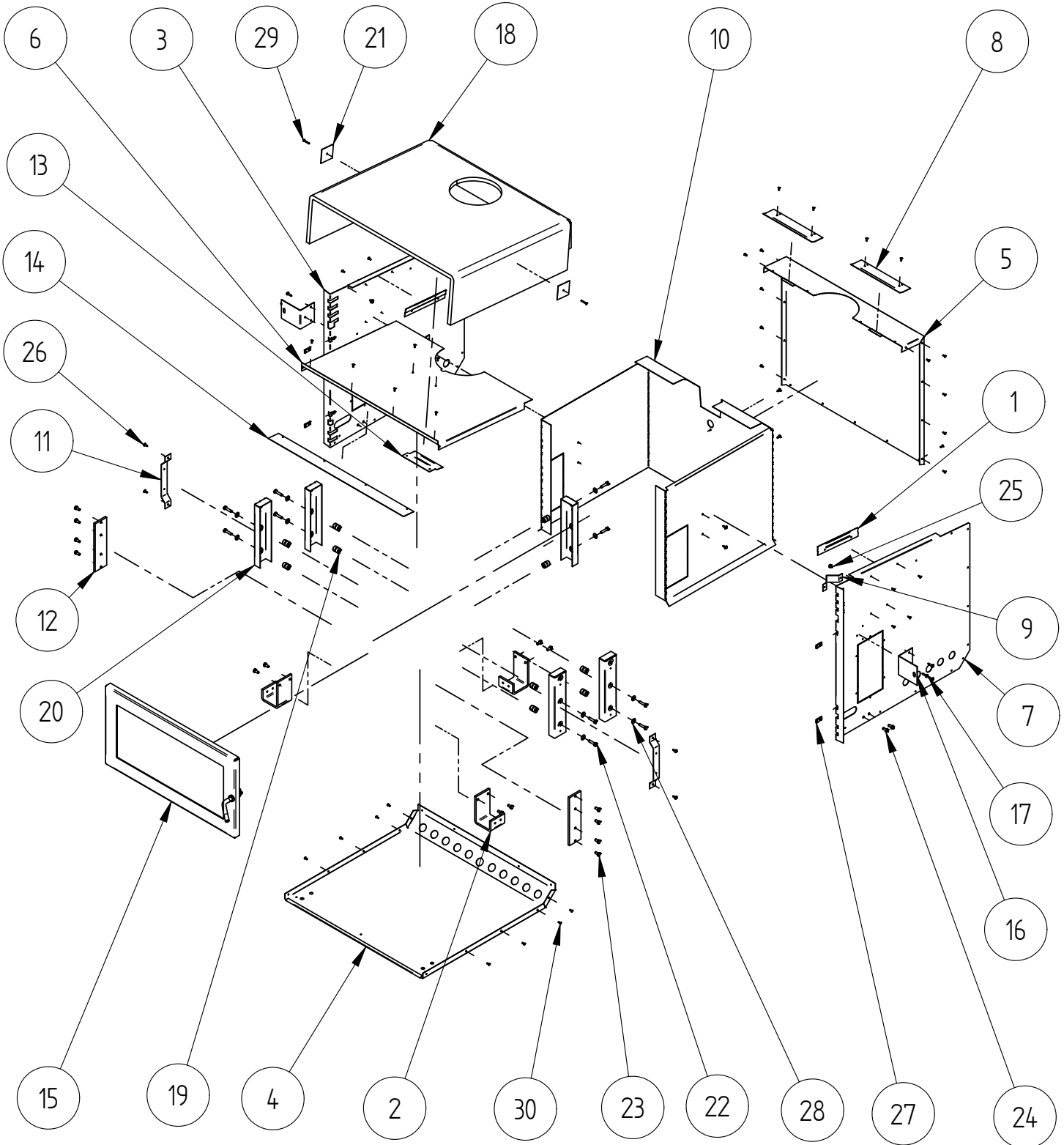


When ordering PLEASE QUOTE PART ID along with Finish Suffix (If applicable)

FASCIA AND FIRE BOX				
ITEM	Part ID	Model(s)	Description	Qty
		993922		
1	993922	-	W/F I2000 DRY NZ 2015 MET BLK VHT	1
2	993923	-	FASCIA I2000 INSERT MET BLK VHT	1
3	993859	-	I2000 FINAL DOOR ASSY, MET BLK VHT	1
4	PYR00376	-	PYR DOOR HANDLE KNOB PLASTIC	1
5	521625	-	SCRW,S/T 8GX3/4" MUSH FLNGE POZI BLK	16
6	993860	V02	I2000 ASH SHELF COM MET BLK VHT	1
7	593568	-	AIR SLIDE KNOB PUSH ON PLASTIC	1
8	993582	-	CENTRAL BRACKET ZC KIT I3000	2

When ordering PLEASE QUOTE PART ID along with Finish Suffix (If applicable)

## PANELS, DOOR AND PEDESTAL (DRY)

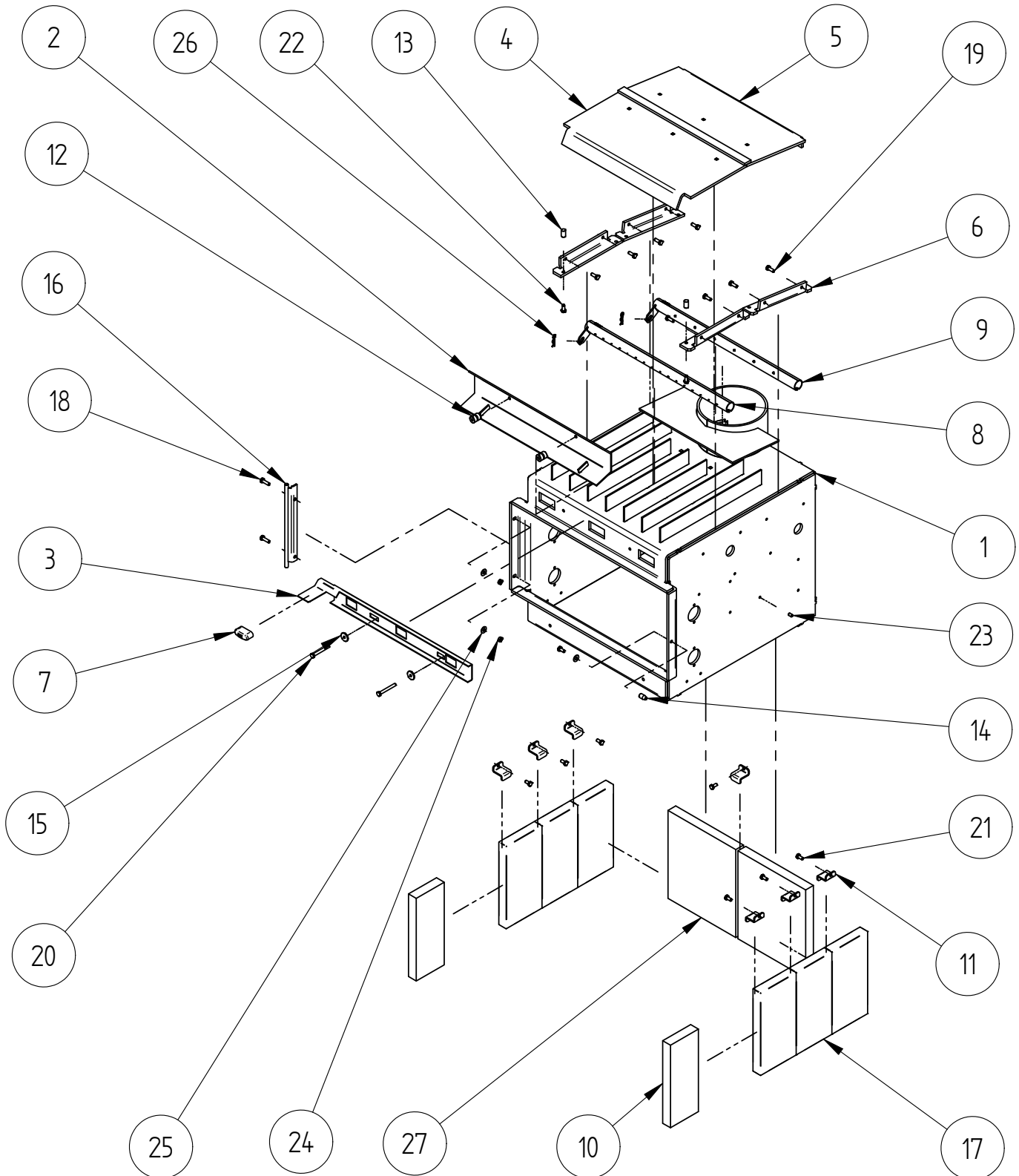


When ordering PLEASE QUOTE PART ID along with Finish Suffix (if applicable)

PANELS AND DOOR				
Item	Part ID	Model(s)	Description	Qty
		993922		
1	986514	-	CASE OUTER, GUIDE RAIL LE	2
2	993513	-	F/B FOOT I-3000	3
3	993520	-	I3000 CABINET L/H PANEL	1
4	993521	-	I3000 CABINET BASE	1
5	993522	-	I3000 CABINET REAR PANEL	1
6	993523	-	I3000 TOP CABINET PANEL	1
7	993524	-	I3000 CABINET R/H SIDE PANEL	1
8	993525	-	I3000 CABINET JOINER PLATE	2
9	993526	-	I3000 CABINET BRACKET	2
10	993528	-	I3000 HEATSHIELD	1
11	993529	-	I3000 HEATSHILED BRACKET	2
12	993541	-	I3000 WETBACK COVER PLATE	2
13	993543	-	I3000 Cabinet Top Clip	1
14	993566	-	I3000 CABINET TOP PANEL LIP	1
15	993859	-	SEE DOOR ASSEMBLY PAGE	1
16	993582	-	I3000 Z/C CENTRAL BRACKET	2
17	521625	-	SCREW; S/T 8GX3/4" MUSH FLANGE POZI BLK	6
18	993589	-	I-3000 Fibafrex Blanket	1
19	HBA00129	-	HBA AIR DEFLECTOR SPACER	10
20	HCA00164	-	HCA SEC AIR CHANNEL	5
21	MIB00065	-	MIB CABINET WASHER	2
22	521058	-	SCREW; M6X25 HEX ZP	10
23	521075	-	SCREW; M6X12 HEX ZP	14
24	521632	-	SCREW; S/T M6X15 HEX FLANGE NIC TAPTITE	4
25	521635	-	SCREW; S/T 10GX3/8" HEX FLANGE BLK	2
26	521645	-	SCREW; S/T 8GX1/2" MUSH FLANGE POZI BLK	10
27	522400	-	NUT; SPIRE 8G BLK	4
28	523007	-	WASHER; FLAT 1/4"X5/8"X18G ZP	10
29	524005	-	RIVET; 73 AS 4-12	2
30	524002	-	RIVET; 73 AS 4-3	41

When ordering PLEASE QUOTE PART ID along with Finish Suffix (If applicable)

# AIRSLIDE, BAFFLE, BRICKS AND FIREBOX (DRY)

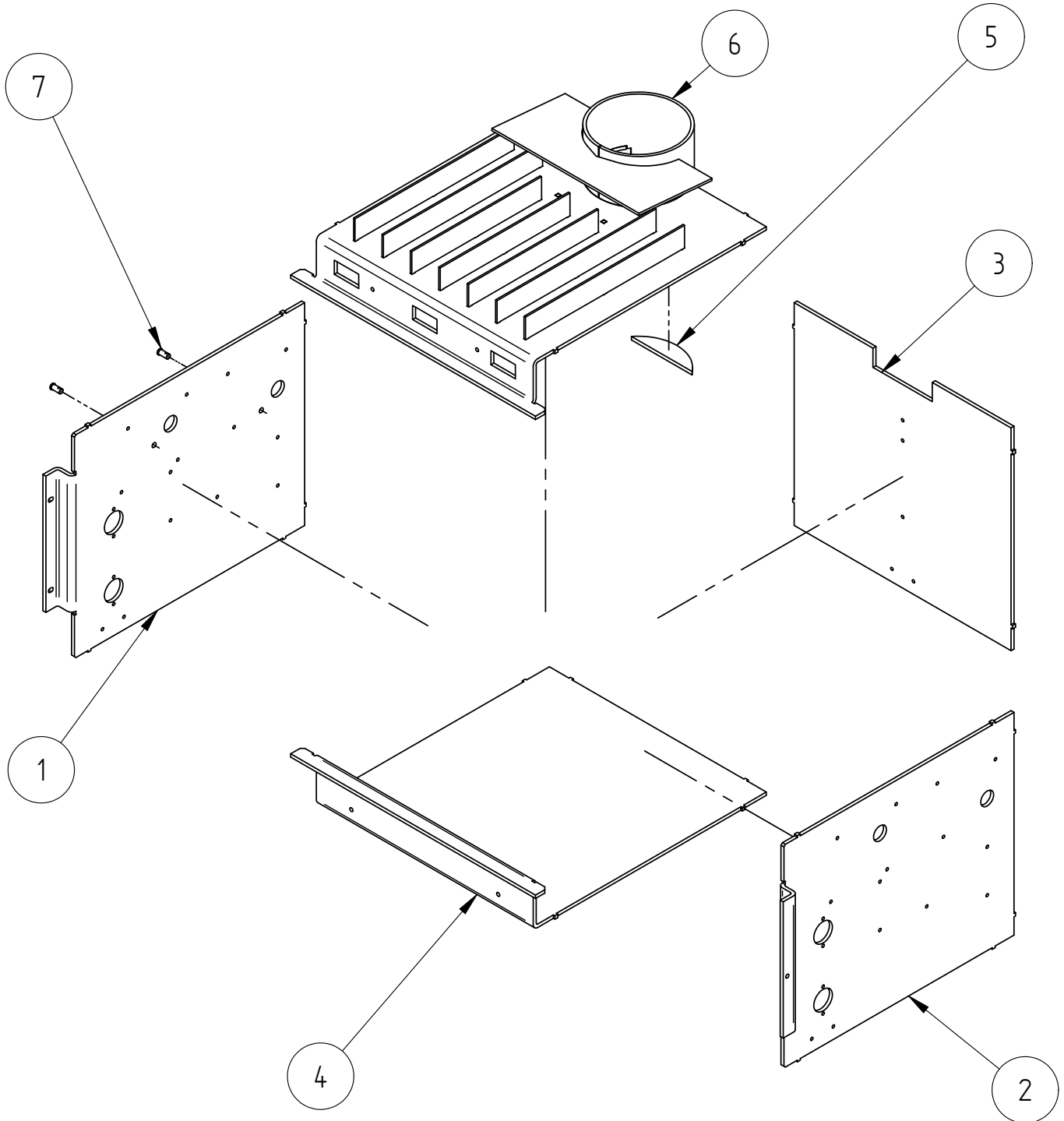


When ordering PLEASE QUOTE PART ID along with Finish Suffix (if applicable)

AIRSLIDE, BAFFLE, BRICKS AND FIREBOX (DRY)				
Item	Part ID	Model(s)	Description	Qty
		993922		
1	993500	-	I3000 FIREBOX ASSEMBLY	1
2	993519	-	I3000 AIR DEFLECTOR ASSEMBLY	1
3	993863	-	I2000 AIRSLIDE NZ DRY	1
4	993544	-	FRONT BAFFLE PLATE, WELDED ASSEMBLY	1
5	993548	-	REAR BAFFLE PLATE, WELDED ASSEMBLY	1
6	993551	-	I3000 BAFFLE SUPPORT	4
7	593568	-	AIR SLIDE KNOB PUSH ON	1
8	993553	-	I3000 FRONT AIRTUBE	1
9	993554	-	I3000 AIRTUBE REAR	1
10	993573	-	BRICK 25 x 90 x 230 CERAMIC	2
11	HBA00118	-	HBA BRICK RETAINER	7
12	HBA00129	-	HBA AIR DEFLECTOR SPACER	2
13	MET00075	-	MET BRICK RETAINER PIN	2
14	MIC00079	-	LOGAIRE CATCH PIN	1
15	MIC00083	-	LOGAIRE METRO AIR SLIDE SPACER	2
16	MICAC190	-	MIC DOOR HINGE ASSEMBLY	1
17	PYRE00354	-	PYR ECO BRICK - 230 X 115 X 25	6
18	521054	-	SCREW; M6X20 HEX ZP	2
19	521076	-	SCREW; M6X16 HEX ZP	8
20	521061	-	SCREW; M6X50 HEX ZP	2
21	521075	-	SCREW; M6X12 HEX ZP	8
22	521632	-	SCREW; S/T M6X15 HEX FLANGE NIC TAPTITE	2
23	521703	-	SCREW; GRUB M6X10 ALLEN BLK	2
24	522117	-	NUT; HEX STD M6 ZP	2
25	523036	-	WASHER; FLAT 1/4"X5/8" BLK	3
26	526101	-	CLIP; R-CLIP 1.8 DIA ST	2
27	587112	-	BRICK-FIRE BACK	2

When ordering PLEASE QUOTE PART ID along with Finish Suffix (If applicable)

# FIREBOX DETAILS



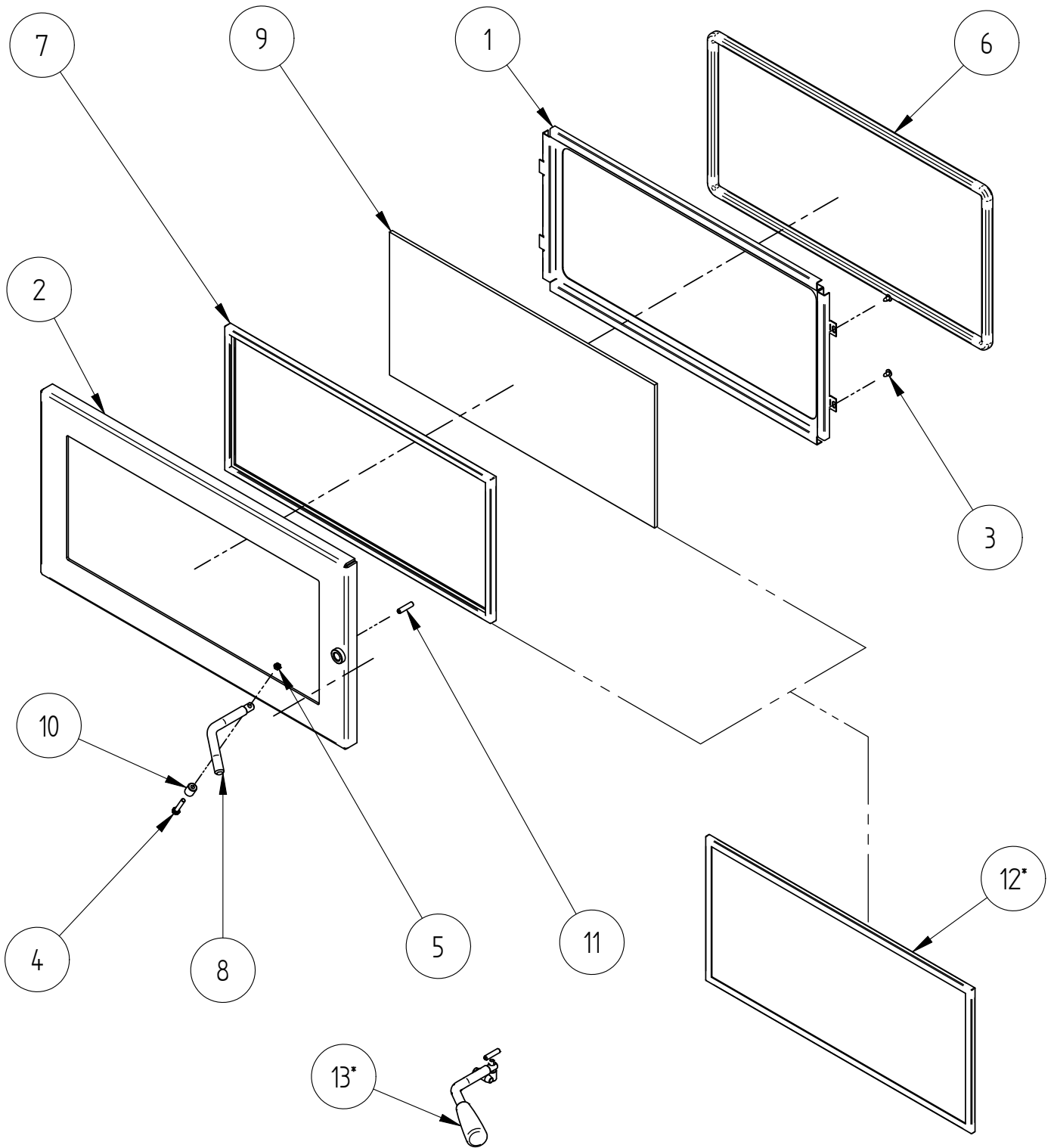
When ordering PLEASE QUOTE PART ID along with Finish Suffix (If applicable)



FIREBOX DETAILS: 993500				
Item	Part ID	Model(s)	Description	Qty
		993922		
1	993502	-	I3000 F/B L/H PANEL	1
2	993503	-	I3000 F/B R/H PANEL	1
3	993504	-	I3000 REAR F/B PANEL	1
4	993505	-	I3000 F/B BOTTOM PANEL	1
5	993511	-	I3000 F/B SPIGOT PLATE	1
6	993515	-	I3000 FIREBOX TOP ASSEMBLY	1
7	MIC00137	-	MIC AIRBAR PIN	2

When ordering PLEASE QUOTE PART ID along with Finish Suffix (If applicable)

# DOOR ASSEMBLY

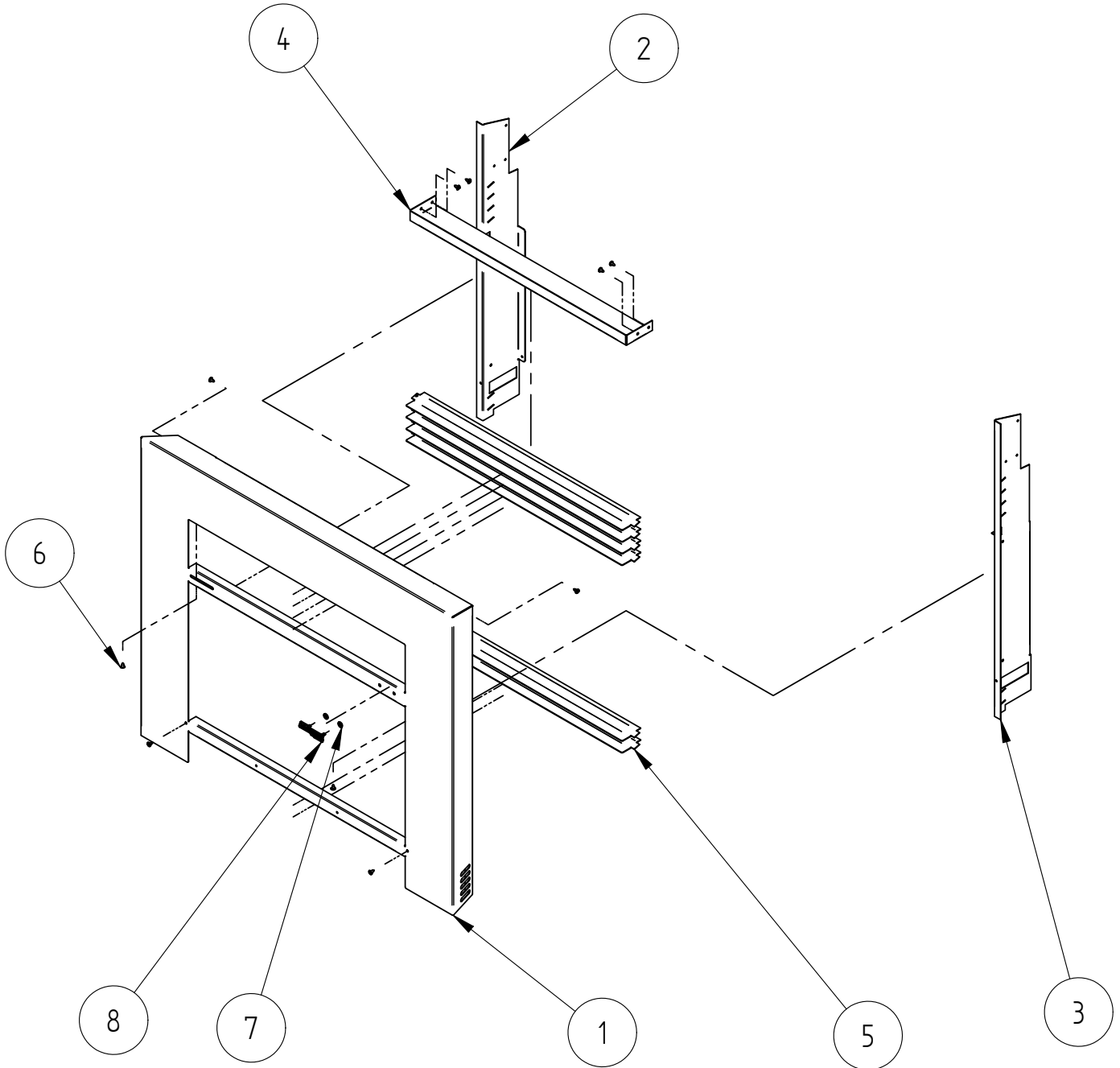


When ordering PLEASE QUOTE PART ID along with Finish Suffix (if applicable)

Door ASSEMBLY: 993859				
Item	Part ID	Model(s)	Description	Qty
		993922		
1	PFS00034	-	PFS REAL SIZE GLASS RETAINER	1
2	PYRAC030	-	PYR DOOR FRAME ASSEMBLY	1
3	521627	-	SCREW; S/T 8GX3/8" MUSH FLANGE POZI BLK	2
4	521805	-	SCREW; CAP M5X25 ALLEN BLK	1
5	522901	-	NUT; BINX M5 ZP	1
6	C16MMDR	-	DOOR ROPE 16MM X 50m ROLL (MTR)	1
7	C25MMLT	-	LADDER TAPE 25X3mm	1
8	KRR00373	-	KRR DOOR LEVER	1
9	PFS00204	-	PFS GLASS	1
10	PYR00461	-	PYR HANDLE ROLLER	1
11	521704	-	SCREW; GRUB M6X25 ALLEN BLK	1
12*	PFSAC204	-	DOOR GLASS KIT	1
13*	PYREDH	-	DOOR HANDLE KIT	1

When ordering PLEASE QUOTE PART ID along with Finish Suffix (If applicable)

## FASCIA ASSEMBLY



When ordering PLEASE QUOTE PART ID along with Finish Suffix (If applicable)

FASCIA ASSEMBLY: 993923				
Item	Part ID	Model(s)	Description	Qty
		993923		
1	993851	V02	I2000 FASCIA PANEL	1
2	993853	V02	I2000 FASCIA SIDE PANEL L/H	1
3	993854	V02	I2000 FASCIA PANEL R/H	1
4	993855	V02	I2000 FASCIA TOP PANEL	1
5	993856	V02	I2000 FASCIA LOUVRE	6
6	521627	-	SCREW; S/T 8GX3/8" MUSH FLANGE POZI BLK	10
7	526009	-	CLIP; STARLOCK M4	2
8	587835	-	BADGE MASPORT HEATING	1

When ordering PLEASE QUOTE PART ID along with Finish Suffix (If applicable)

NOT ILLUSTRATED				
Item	Part ID	Model(s)	Description	Qty
		993922		
1	593286	-	OWNER MANUAL WOODFIRES	1
2	593287	-	INSTALL MANUAL WOODFIRE	1
3	593865	-	INSTRUCT I2000 INSERT INSTALLATION	1

SURFACE FINISH CODES FOR PANELS						
VITREOUS ENAMEL		VHT PAINT(Very High Temp)			POWDER COAT	
E01	MATT BLACK	V02	P-000022	METALLIC BLACK	P02	MATT BLACK
E02	GLOSS BLACK	V03	P-000043	CHARCOAL	P03	CHARCOAL
E03	CHARCOAL	V04	P-000081	TITANIUM	P05	SATIN BLACK
		V05	P-000051	CHARCOAL (DAM MET BLK)	P09	METTALIC BLACK
		V06	P-000052	METALLIC BLACK ZINC		

LESS FREQUENTLY OR OLD SURFACE FINISH CODES FOR PANELS						
VITREOUS ENAMEL		VHT PAINT(Very High Temp)			POWDER COAT	
E04	JASMINE	V01		SATIN BLACK HIGH TEMP	P01	BLUE/BLACK
					P04	GLOSS CHARCOAL
					P07	FLAT BLACK

When ordering PLEASE QUOTE PART ID along with Finish Suffix (If applicable)